



07 2098

RUGBY MANUFACTURING CO.
INDUSTRIAL PARK
515 1ST STREET NE
RUGBY, NORTH DAKOTA 58368

DUMP BODY OPERATION MANUAL

To Be Filled In By Installer

Purchase Date: _____

Dump Body Serial Number: _____

Dealer: _____

Address: _____

Dealer Phone Number: _____

Note: This manual outlines the operation of an "Eliminator" series dump body with the E-Z® Rear Tailgate Latch manufactured by Rugby Manufacturing Co. This manual should be kept in the truck glove compartment for reference.



515 1ST STREET NE • RUGBY, ND 58368

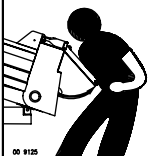

First Edition: 01/31/00
Latest Edition: 2 (03/17/03)

Warning: Missing or damaged decals can lead to accidents which may cause serious injury or death. If any decals are missing or damaged, they must be replaced.

To obtain replacement decals, contact your local Rugby dealer or contact:

Rugby Manufacturing Co.
Industrial Park
515 1st Street NE
Rugby, ND 58368

▲ WARNING ▲
Failure to support the tailgate top while opening the tailgate from the top down will result in the tailgate rotating open uncontrollably and could result in serious injury. Support the tailgate at the very top while opening the tailgate from the top down.
Failure to keep extremities away from chains and other pinch points while opening the tailgate from the top down could result in serious injury. When opening the tailgate from the top down hold the tailgate only at the very top away from chains and other pinch points.
Failure to latch the tailgate bottom while using or opening the tailgate from the top down will result in the tailgate falling which could result in serious injury. Latch the tailgate bottom before using or opening the tailgate from the top down.
<small>00 9120</small> 

	▲ WARNING
	Stay clear of body while dumping. Failure to do so could result in serious injury or death. 
<small>00 9120</small>	

GENERAL WARNINGS:

Warning: Do not raise or drive a raised body against a power line. Bringing body in contact with a power line or a power source will result in serious injury or death by electrocution.

Warning: Do not raise or drive a raised body against another object. Doing so could result in equipment or property damage, bodily injury or death.

Warning: Do not dump while on uneven ground or if truck is in an uneven position from side to side. Dumping unevenly can cause truck to overturn and cause equipment or property damage, personal injury, or death.

Warning: Stay clear of dump body when dumping. Moving truck parts or the moving load could cause injury or death.

Warning: Check load making sure that rocks or any other object will not spill out of truck while transporting load. Falling objects can cause equipment or property damage, bodily injury or death.

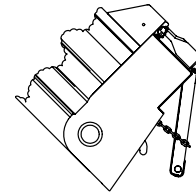
Warning: Being under a raised body can result in serious injury or death should the body inadvertently descend. *Never* position yourself or allow others to position themselves under a *raised* body. *Always* support the *unloaded* body up using the body prop or body props supplied. *Remember* body props are to be used only on an *unloaded* body.

Warning: Malfunctioning equipment can cause property damage, injury or death. *Always* have faulty equipment repaired before continuing its use. If required, consult the manufacturer.

Warning: Overloading of a truck can cause truck component damage or an accident which may cause injury or death. *Never* exceed the gross vehicle weight rating (GVWR) or the gross axle weight rating (GAWR) of your vehicle.

Warning: Not operating equipment correctly can cause component damage or an accident which may cause injury or death. *Always* operate equipment in accordance with manufacturer's instructions. Read and understand this manual fully before proceeding.

Note: Prior to using dumping equipment, become familiar with how this equipment functions. Also, read all material supplied pertaining to the raising and lowering of the body. If your truck is supplied with a hoist that is actuated by PTO driven pump, read the instructions on proper use of the PTO and pump. If your truck is supplied with a hoist that is actuated by an electrically powered pump, read the instructions for raising and lowering the hoist with your type of electrically powered pump.



NOTE: CHAIN IS ROUTED THRU RETAINING ANGLE.

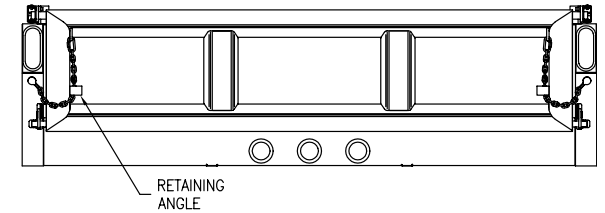


FIGURE 7
LIMITING BOTTOM UP OPENING OF TAILGATE WITH CHAIN

4. To close the tailgate, first lower the dump body.

Note: To raise and lower the dump body, refer to the operation instructions for your particular hoist model.

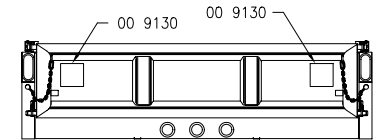
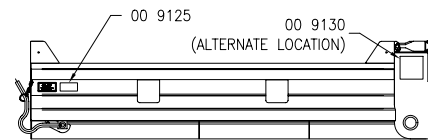
5. Rotate the front lever handle up to latch tailgate bottom.

6. Secure handle by repositioning chain removed in Step #1.

SAFETY DECALS:

One **00 9125** warning decal, as shown on page 8, is supplied with each dump body. This decal must be positioned as shown in Figure 8.

Two **00 9130** warning decals, as shown on page 8, are supplied with each dump body. These decals must be positioned as shown in Figure 8.



NOTE: LOCATE THE TWO 00 9130 DECALS ON THE TAILGATE AS SHOWN OR USE THE ALTERNATE LOCATION SHOWN (LOCATING ONE DECAL ON THE SIDE OF EACH CORNER POST).

FIGURE 8
DECAL LOCATION

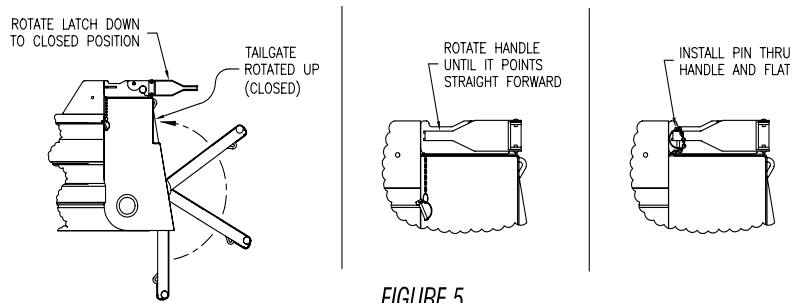


FIGURE 5

CLOSING TAILGATE FROM TOP DOWN POSITION

OPENING AND CLOSING TAILGATE BOTTOM UP:

1. The tailgate is opened bottom up by using a lever located at the front driver side of the dump body. Begin by removing the safety chain ring from the handle.
2. Rotate the handle down to release the tailgate bottom as shown in Figure 6.

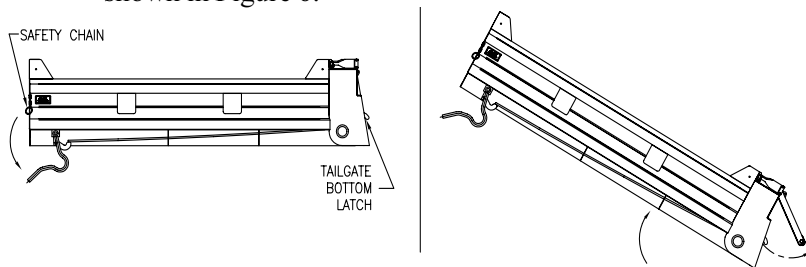


FIGURE 6

OPENING THE TAILGATE BOTTOM UP

Warning: Standing next to the rear of the dump body when the tailgate is opened bottom up can cause the tailgate to strike you, which may cause serious injury. Stay clear of dump body while dumping.

3. The amount the tailgate will open bottom up can be limited by using the tailgate chains. In limiting the amount the tailgate opens bottom up, a chain on each side of the tailgate is run first through its respective tailgate retaining angle and then to its respective chain slot located on the rear corner post as shown in Figure 7.

The following is a step-by-step procedure for operating the dump body:

IMPORTANT:

There are two ways to open the tailgate on your dump body. One way is to unlatch the bottom of the tailgate, allowing the tailgate to pivot at the tailgate top (see Figure 1). For the purposes of this manual, opening the tailgate in this manner will be referred to as *opening the tailgate bottom up*.

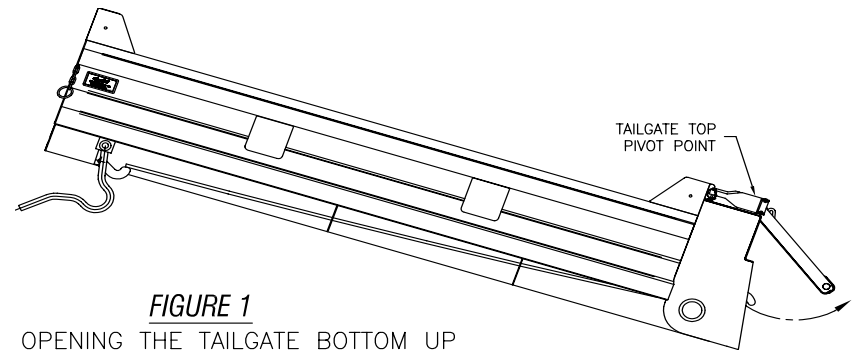


FIGURE 1

OPENING THE TAILGATE BOTTOM UP

The second way the tailgate can be opened is to unlatch the top of the tailgate, allowing the tailgate to pivot at the tailgate bottom (see Figure 2). Again, for the purposes of this manual, opening the tailgate in this manner will be referred to as *opening the tailgate top down*.

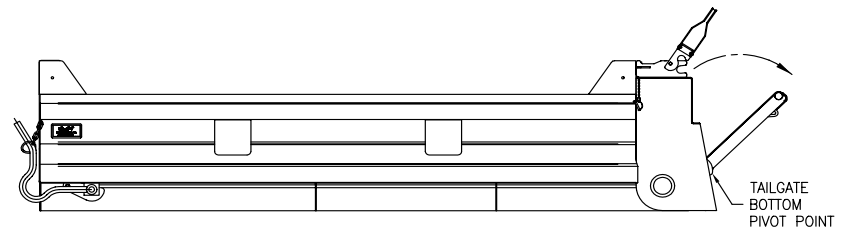


FIGURE 2

OPENING THE TAILGATE TOP DOWN

OPENING AND CLOSING THE TAILGATE TOP DOWN:

1. Open the tailgate latch on one side of the dump body by:
 - Removing the retaining pin from the latch handle.
 - Rotate the handle rearward until the handle points straight back.
 - Rotate the handle upwards and open as shown in Figure 3.

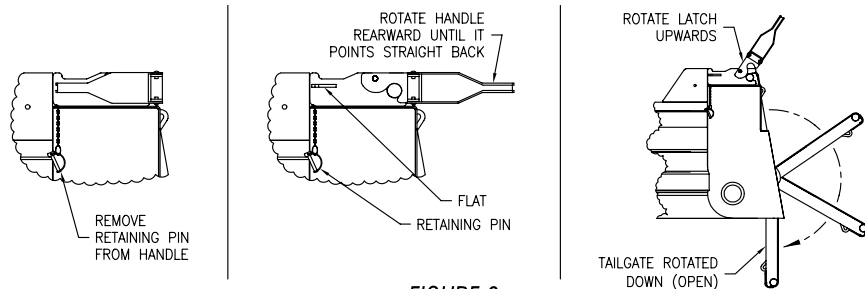


FIGURE 3
OPENING TAILGATE FROM TOP DOWN POSITION

2. Repeat Step #1 for the remaining top tailgate latch located on the other side of the dump body while keeping tailgate secure in the closed position.
3. Rotate the top of the tailgate down. The tailgate will rotate 180° from the closed position.

Caution: Raising the dump body to dump a load with the tailgate opened top down can cause damage to the tailgate or the truck if the tailgate strikes a trailer hitch or some other object below the tailgate while dumping.

4. The amount the tailgate will open top down can be limited by using the tailgate chains. In limiting the amount the tailgate opens top down, a chain on each side of the tailgate is run directly to its respective chain slot located on the rear corner posts as shown in Figure 4.

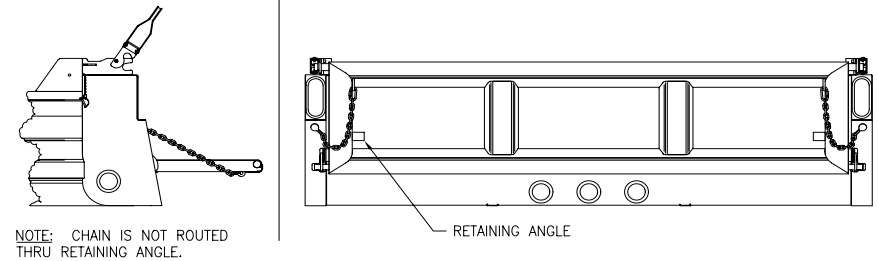


FIGURE 4
LIMITING TOP DOWN OPENING OF TAILGATE WITH CHAIN

NOTE: CHAIN IS NOT ROUTED THRU RETAINING ANGLE.

Warning: Failure to latch the tailgate bottom while using or opening the tailgate from the top down will result in the tailgate falling which could result in serious injury. Latch the tailgate bottom before using or opening the tailgate from the top down.

Warning: Failure to support the tailgate top while opening the tailgate from the top down will result in the tailgate rotating open uncontrollably and could result in serious injury. Support the tailgate at the very top while opening the tailgate from the top down.

Warning: Failure to keep extremities away from chains and other pinch points while opening the tailgate from the top down could result in serious injury. When opening the tailgate from the top down, hold the tailgate only at the very top away from chains and other pinch points.

5. To close the tailgate, rotate the top of the tailgate up.
6. Close one top tailgate latch first, then the other by:
 - Rotating the handle downward to the closed position.
 - Rotate the handle forward until the handle points straightforward.
 - Install the retaining pin in the latch handle as shown in Figure 5.