



RUGBY MANUFACTURING CO.
INDUSTRIAL PARK
515 1ST STREET NE
RUGBY, NORTH DAKOTA 58368

07 1278

DUMP BODY
"OPERATION MANUAL"

To Be Filled In By Installer

Purchase Date: _____

Dump Body Serial Number: _____

Dealer: _____

Address: _____

Dealer Phone Number: _____

NOTE: This manual outlines the operation of a dump body with the "clevis and pin" ¹ style of endgate top hinge manufactured by Rugby Manufacturing Co. This manual should be kept in truck glove compartment for reference when needed.




INDUSTRIAL PARK
515 1ST STREET NE
RUGBY, ND 58368

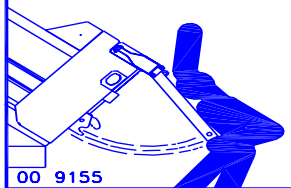

First Edition 01/01/00
Edition 3

WARNING: Missing or damaged decals can lead to accidents which may cause serious injury or death. If any decals are missing or damaged, they must be replaced.

To obtain replacement decals, contact your "Rugby" dealer or contact:

Rugby Manufacturing Co.
Industrial Park
515 1st Street NE
Rugby, ND 58368

⚠ WARNING ⚠
<p>Failure to support the tailgate top while opening the tailgate from the top down will result in the tailgate rotating open uncontrollably and could result in serious injury. Support the tailgate at the very top while opening the tailgate from the top down.</p> <p>Failure to keep extremities away from chains and other pinch points while opening the tailgate from the top down could result in serious injury. When opening the tailgate from the top down hold the tailgate only at the very top away from chains and other pinch points.</p> <p>Failure to latch the tailgate bottom while using or opening the tailgate from the top down will result in the tailgate falling which could result in serious injury. Latch the tailgate bottom before using or opening the tailgate from the top down.</p>
00 9130 

	⚠ WARNING Stay clear of dump body while dumping. Failure to do so could result in serious injury or death.
00 9155	

¹ Patent Applied For
© 1999, 2000 RUGBY Manufacturing Co.
m:\pm4\manuals\071278.p65

General Warnings:

- Warning:** Do not raise or drive a raised body against a power line. Bringing body in contact with a power line or a power source will result in serious injury or death by electrocution.
- Warning:** Do not raise or drive a raised body against another object. Doing so could result in equipment and property damage, bodily injury or death.
- Warning:** Do not dump while on uneven ground, or if truck is in an uneven position from side to side. Dumping unevenly can cause truck to overturn and cause equipment or property damage, personal injury, or death.
- Warning:** Stay clear of dump body when dumping. Moving truck parts or the moving load could cause injury or death.
- Warning:** Check load making sure that rocks or any other object will not spill out of truck while transporting load. Falling objects can cause equipment, property damage, injury, or death.
- Warning:** Being under a raised body can result in serious injury or death should the body inadvertently descend. **"Never"** position yourself or allow others to position themselves under a **"raised"** body. **"Always"** support the **"unloaded"** body up using the body prop or body props supplied. **"Remember"** body props are to be used only on an **"unloaded"** body.

Warning: Malfunctioning equipment can cause property damage, injury or death. "Always" have faulty equipment repaired before continuing its use. If required, consult the manufacturer.

Warning: Overloading of a truck can cause truck component damage, or an accident which may cause injury or death. "Never" exceed the gross vehicle weight (GVW) or the gross axle weight (GAW) rating of your vehicle.

Warning: Not operating equipment correctly can cause component damage, or an accident which may cause injury or death. "Always" operate equipment in accordance with manufacturer's instructions. Read and understand this manual fully before proceeding.

Note: Prior to using dumping equipment, become familiar with how this equipment functions. Also read all material supplied pertaining to the raising and lowering of the body. If your truck is supplied with a hoist that is powered by PTO driven pump, read the instructions on proper use of the PTO and pump. If your truck is supplied with a hoist that is powered by an electrically driven pump, read the instructions for raising and lowering the hoist with your type of electrically driven pump.

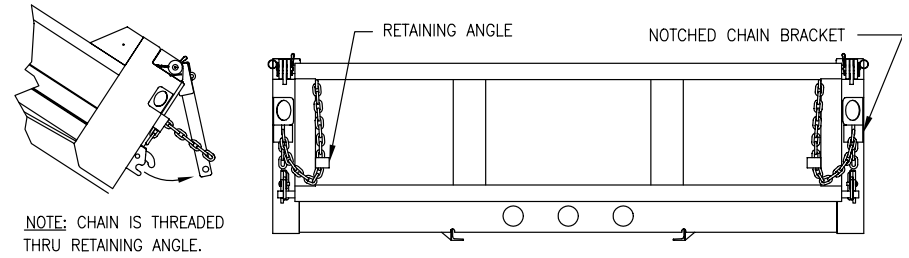


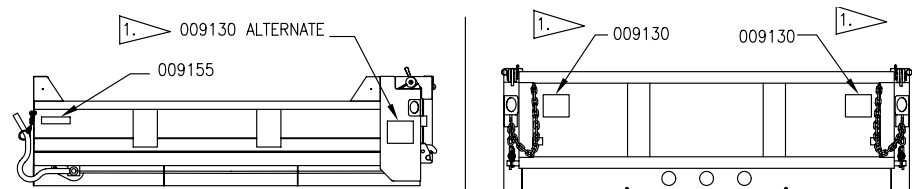
FIGURE 7
LIMITING BOTTOM UP OPENING OF TAILGATE WITH CHAIN

4. To close the tailgate, lower the dump body.
- Note: To raise and lower the dump body, refer to the operation instructions for your particular hoist model.
5. Rotate handle up to latch tailgate bottom.
 6. Secure handle by repositioning chain removed in Step #1.

Safety Decals

One 009155 warning decal, as shown below, is supplied with each dump body. This decal must be positioned as shown in Figure 8.

Two 009130 warning decals, as shown below, are supplied with each dump body. These decals must be positioned as shown in Figure 8.



1. LOCATE THE TWO 009130 DECALS ON THE TAILGATE AS SHOWN. OR USE THE ALTERNATE 009130 LOCATION SHOWN, LOCATING 1 DECAL ON THE SIDE OF EACH CORNER POST.

FIGURE 8
DECAL LOCATION

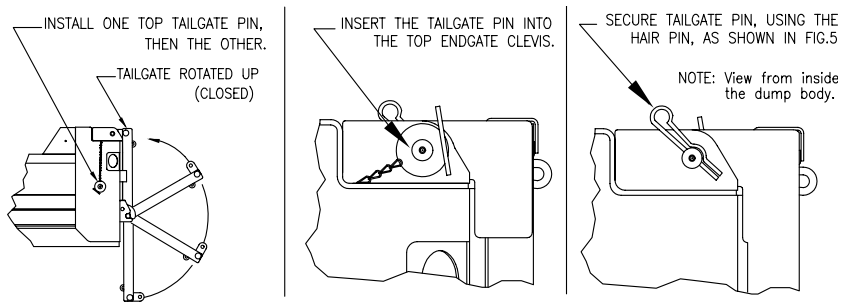


FIGURE 5

CLOSING TAILGATE FROM TOP DOWN POSITION

OPENING AND CLOSING TAILGATE BOTTOM UP:

1. The tailgate is opened bottom up by using a lever located at the front driver side of the dump body. Begin by removing safety chain ring from handle.
2. Rotate handle down to release tailgate bottom as shown in Figure 6.

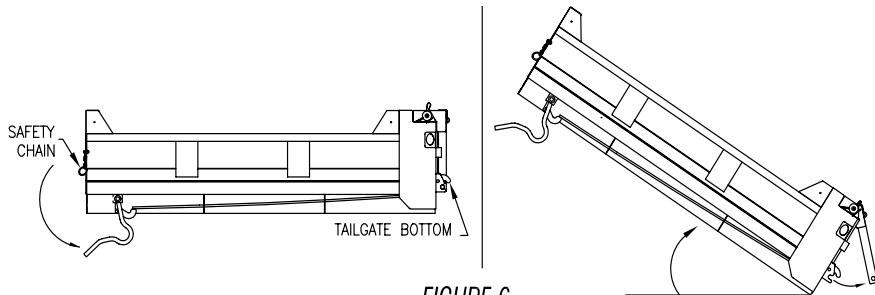


FIGURE 6

OPENING THE TAILGATE BOTTOM UP

WARNING: Standing next to the rear of the dump body when the tailgate is opened bottom up can cause the tailgate to strike you, which may cause serious injury. Stay clear of dump body while dumping.

3. The amount the tailgate will open bottom up can be limited by using the tailgate chains. In limiting the amount the tailgate opens bottom up, a chain on each side of the tailgate is run first through its respective tailgate retaining angle and then to its respective notched chain bracket located on the rear corner post as shown in Figure 7.

THE FOLLOWING IS A STEP BY STEP PROCEDURE FOR OPERATING THE DUMP BODY:

IMPORTANT:

There are two ways to open the tailgate on your dump body. One way is to unlatch the bottom of the tailgate, allowing the tailgate to pivot at the tailgate top (see Figure 1). For the purposes of this manual, opening the tailgate in this manner will be referred to as *opening the tailgate bottom up*.

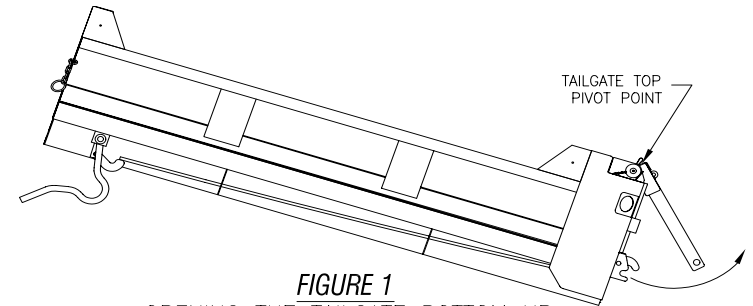


FIGURE 1

OPENING THE TAILGATE BOTTOM UP

The second way the tailgate can be opened is to unlatch the top of the tailgate, allowing the tailgate to pivot at the tailgate bottom (see Figure 2). Again, for the purposes of this manual, opening the tailgate in this manner will be referred to as *opening the tailgate top down*.

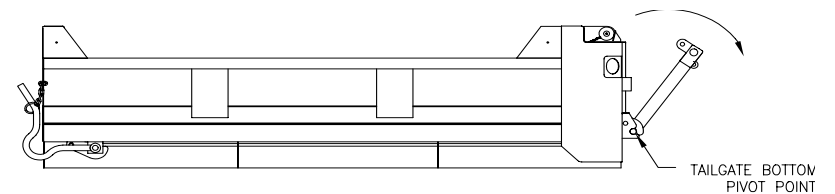


FIGURE 2

OPENING THE TAILGATE TOP DOWN

OPENING AND CLOSING THE TAILGATE TOP DOWN:

1. Remove the top tailgate pin on one side of the dump body by:
 - ~ Removing the hair pin in the tailgate pin.
 - ~ Remove tailgate pin by pulling the pin outward from dump body, such as shown in Figure 3.

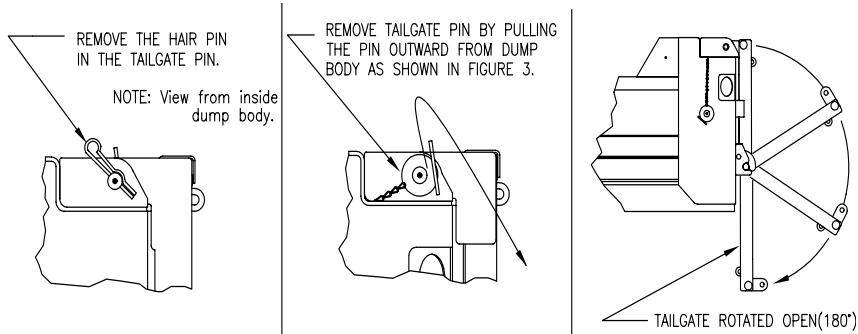


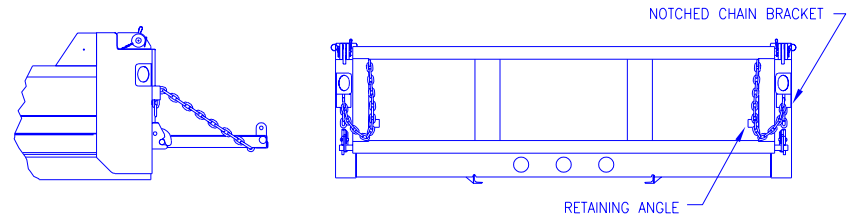
FIGURE 3

OPENING TAILGATE FROM TOP DOWN POSITION

2. Repeat Step #1 for the remaining top tailgate latch located on the other side of the dump body while keeping tailgate secure in the closed position.
3. Rotate the top of the tailgate down. The tailgate will rotate 180° from the closed position.

CAUTION: Raising the dump body to dump a load with the tailgate opened top down can cause damage to the tailgate or the truck if the tailgate strikes a trailer hitch or some other object below the tailgate while dumping.

4. The amount the tailgate will open top down can be limited by using the tailgate chains. In limiting the amount the tailgate opens top down, a chain on each side of the tailgate is run directly to its respective notched chain bracket located on the rear corner posts as shown in Figure 4.



NOTE: CHAIN IS NOT THREADED THRU RETAINING ANGLE.

FIGURE 4

LIMITING TOP DOWN OPENING OF TAILGATE WITH CHAIN

WARNING: Failure to latch the tailgate bottom while using or opening the tailgate from the top down will result in the tailgate falling which could result in serious injury. Latch the tailgate bottom before using or opening the tailgate from the top down.

WARNING: Failure to support the tailgate top while opening the tailgate from the top down will result in the tailgate rotating open uncontrollably and could result in serious injury. Support the tailgate at the very top while opening the tailgate from the top down.

WARNING: Failure to keep extremities away from chains and other pinch points while opening the tailgate from the top down could result in serious injury. When opening the tailgate from the top down, hold the tailgate only at the very top away from chains and other pinch points.

5. To close the tailgate, rotate the top of the tailgate up.
6. Install one top tailgate pin, then the other by:
 - ~ Inserting the tailgate pin into the top endgate clevis.
 - ~ Secure tailgate pin, using the hair pin, as shown in Figure 5.