



ADVISORY BULLETIN

Rugby MD Body Understructures
Attn: Rugby Sales & Service-All Rugby Customers

Bulletin 2256528 Rev A

Release Date: 9/19/2019

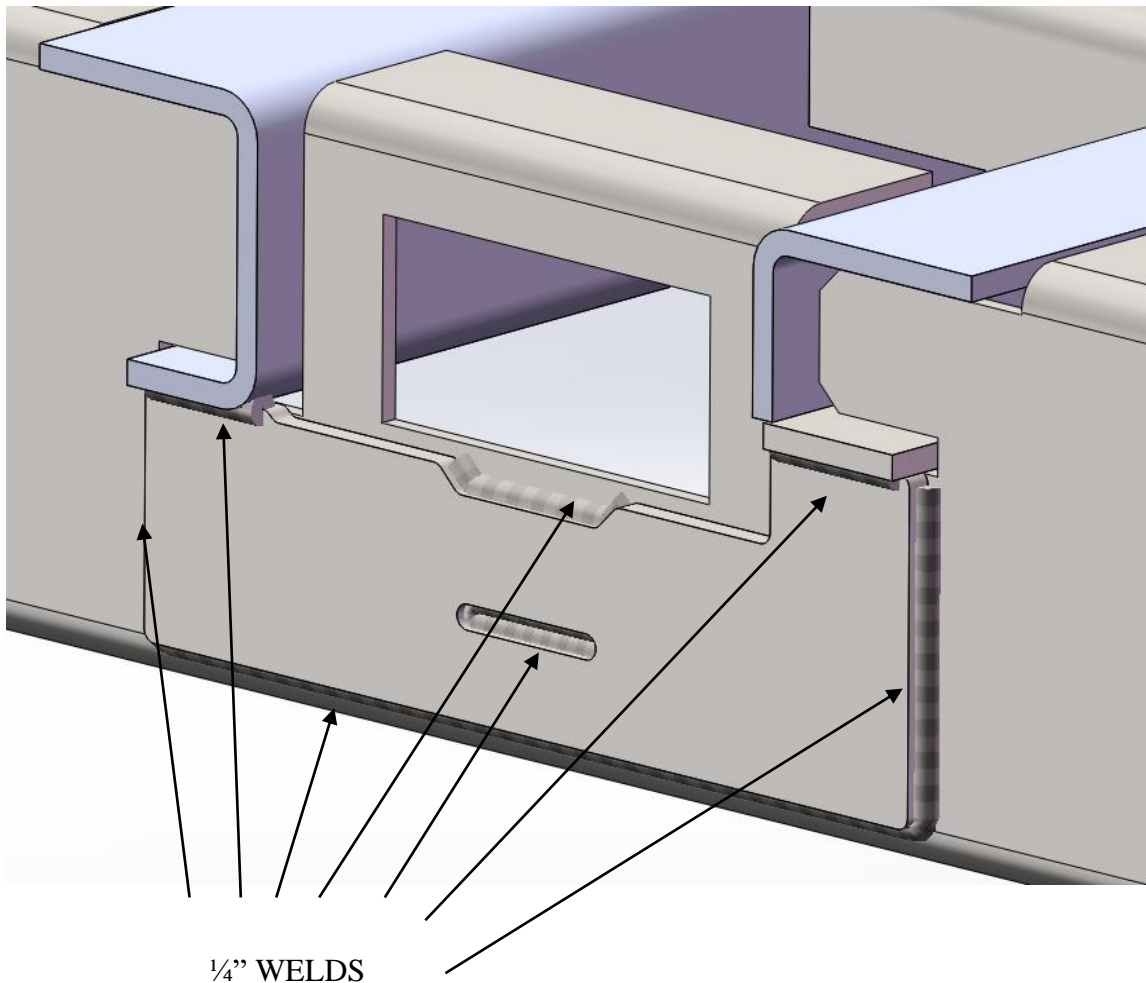
Models Affected: All Rugby style MD bodies

Description: A field update to the md body purchased November 2017 or later is strongly recommended for md body owners.

Solution: addition of reinforcement plate 2256527.

Installation of PN 2256527:

Weld plate 2256527, to each long sill. Welds will be typical to both sides.



1/4" WELDS

Rugby Manufacturing Co.
515 1st St. NE – Rugby, ND 58368
Tel: 701 776 5722 – Fax: 701 776 6235 – www.rugbymfg.com